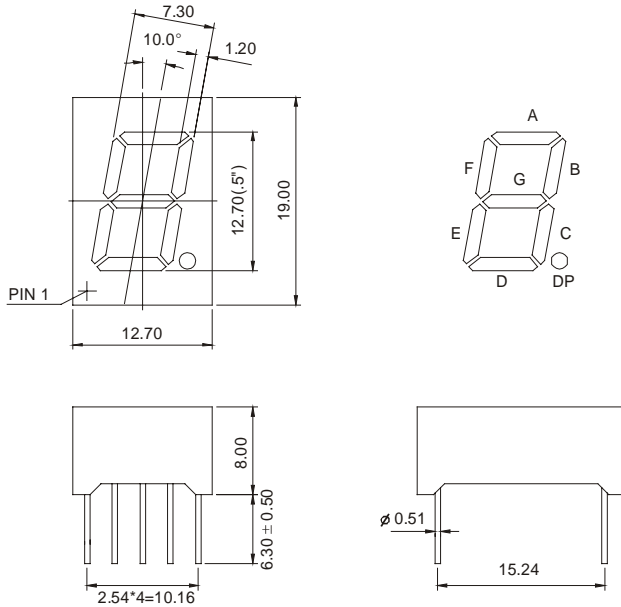


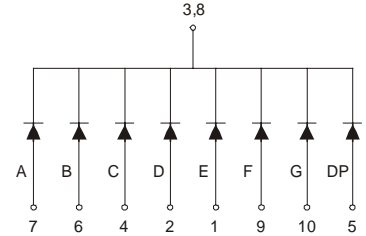


MCDS-5011Ax-Bx (SINGLE DIGIT LED DISPLAY)

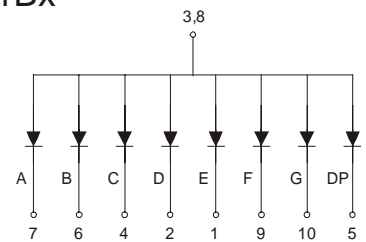
MCDS-5011 Series



MCDS-5011Ax



MCDS-5011Bx



Features:

*0.50 INCH HIGH CHARACTER.

*EXCELLENT CHARACTER APPEARANCE.

*COMMON CATHODE OR COMMON ANODE.

*I.C. COMPATIBLE.

*LOW POWER CONSUMPTION.

Part Number	EMITTED COLOR		Common Cathode or Common Anode	Peak Wavelength (nm)	Vf (v) Typ	If (mA)	Intensity Per Segment (mcd)	
							Min.	Typ.
MCDS-5011AE	GaAsP/GaP	Hi.effi Red	Common Cathode	635	2.0	20	9	12
MCDS-5011AG	GaP	Green		565	2.1	20	8	11
MCDS-5011AY	GaAsP/GaP	Yellow		585	2.1	20	9	12
MCDS-5011AS	GaAlAs	Super Red		660	1.8	20	10	13
MCDS-5011AD	GaAlAs	Ultra Red		660	1.8	20	25	30
MCDS-5011AUE	AlGaInP	Ultra Red		625	1.8	20	30	35
MCDS-5011AUY	AlGaInP	Ultra Yellow		590	1.8	20	30	35
MCDS-5011BE	GaAsP/GaP	Hi.effi Red	Common Anode	635	2.0	20	9	12
MCDS-5011BG	GaP	Green		565	2.1	20	8	11
MCDS-5011BY	GaAsP/GaP	Yellow		585	2.1	20	9	12
MCDS-5011BS	GaAlAs	Super Red		660	1.8	20	10	13
MCDS-5011BD	GaAlAs	Ultra Red		660	1.8	20	25	30
MCDS-5011BUE	AlGaInP	Ultra Red		625	1.8	20	30	35
MCDS-5011BUY	AlGaInP	Ultra Yellow		590	1.8	20	30	35